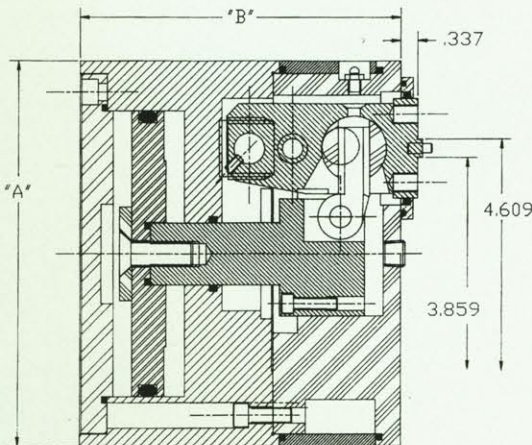


Models:

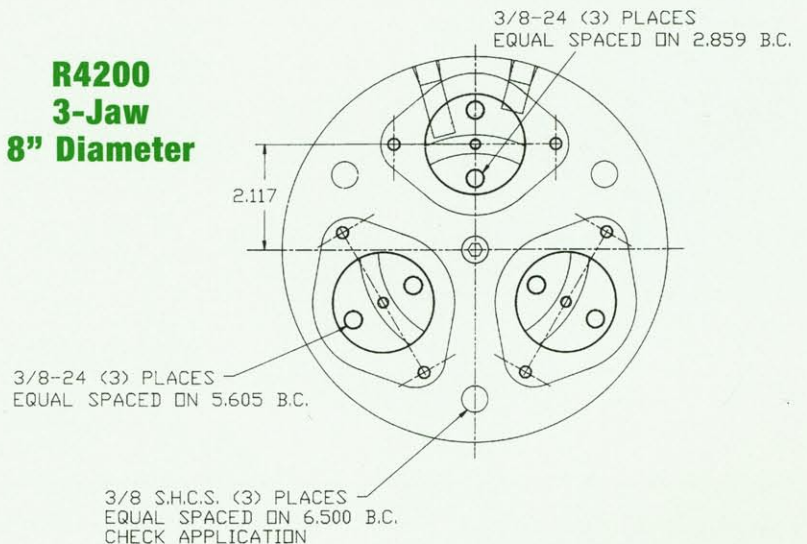
R4200
3-Jaw, 8", 10", 12"
Internal and External
Air or Hydraulic

R4200
2-Jaw, 8", 10", 12"
Internal and External
Air or Hydraulic

HIGH QUALITY POWER CHUCKS WITH BUILT-IN CYLINDER



**R4200
3-Jaw
8" Diameter**

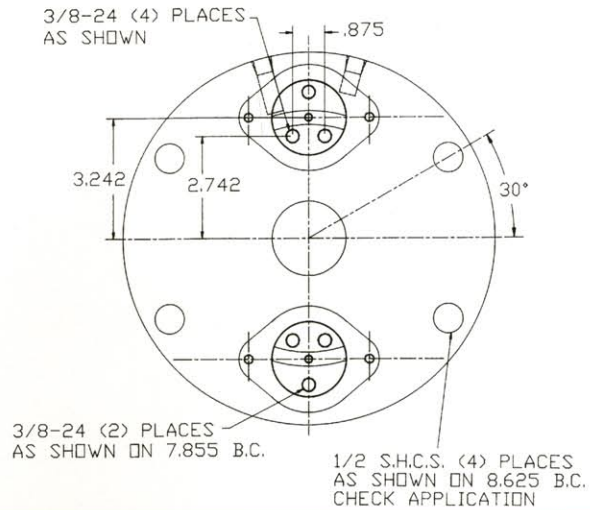
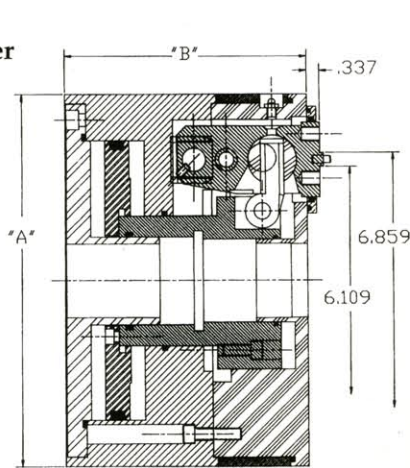


*Specializing in
Workholding Since 1946*

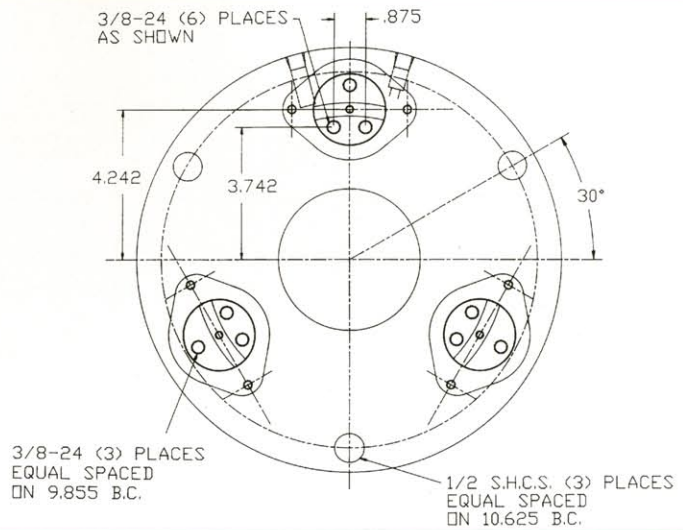
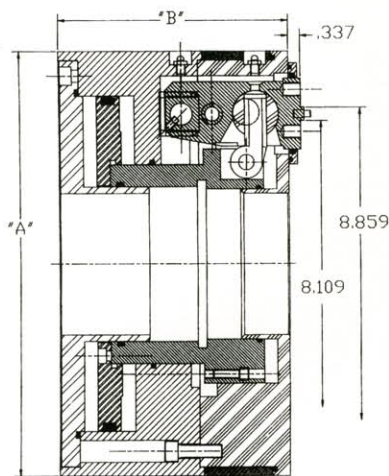
R4200 SERIES

Stace Allen
CHUCKS

Model R4200
2-Jaw, 10" Diameter



Model R4200
3-Jaw, 12" Diameter



Model	Type	Maximum Hole Through	Maximum Weight	Chuck		Total Jaw Travel	Piston Area		Maximum Pressure
				Diameter	Height		Clamp	Unclamp	
				A	B				
R4200	3-Jaw		86 lbs.	7.75	6.500	.340 min. (depends on jaw length)	24.62	25.87	350
	3-Jaw	2.000	137 lbs.	10.00	6.500	.340 min. (depends on jaw length)	34.49	39.73	260
	3-Jaw	4.000	183 lbs.	12.00	6.500	.340 min. (depends on jaw length)	45.95	55.31	195
	2-Jaw		86 lbs.	7.75	6.500	.340 min. (depends on jaw length)	24.62	25.87	240
	2-Jaw	2.000	137 lbs.	10.00	6.500	.340 min. (depends on jaw length)	34.49	39.73	170
	2-Jaw	4.000	186 lbs.	12.00	6.500	.340 min. (depends on jaw length)	45.95	55.31	130

For Firm Proposal, Submit Part Prints, Tool Layout and Machine Mounting Information

**Let Us Solve
Your Chucking
Problems**

STACE-ALLEN CHUCKS, INC.
2246-50 West Minnesota Street
Indianapolis, Indiana 46221
(317) 632-2401
Fax: (317) 637-7563