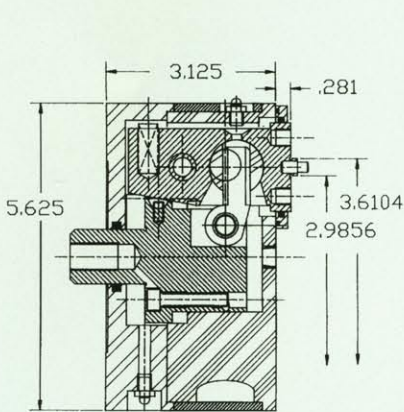




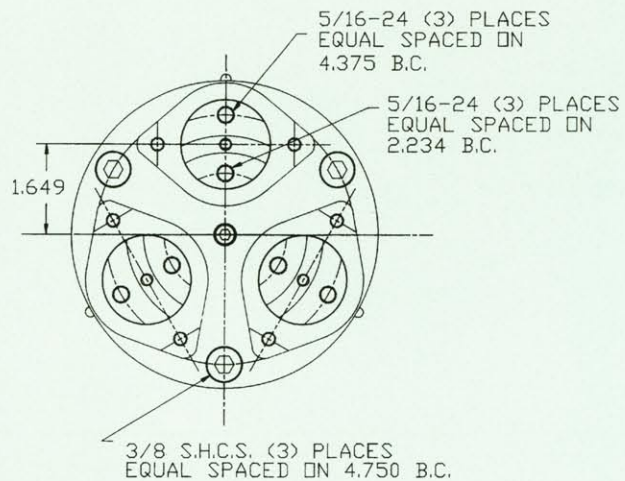
Models:

- R2200
3-Jaw
External
- R2202
3-Jaw Compensating
External
- R2300
2-Jaw Compensating
External
- R2400
2-Jaw
External

HIGH QUALITY DRAW BAR OPERATED POWER CHUCKS



**R2200
3-Jaw
External**



Model R2200
3-Jaw
External
Weight:
22 lbs.

Jaw Travel per Jaw:
.110
Maximum Draw Bar Force:
5000 lbs.

*Specializing in
Workholding Since 1946*

R2200 SERIES

Stace Allen
CHUCKS

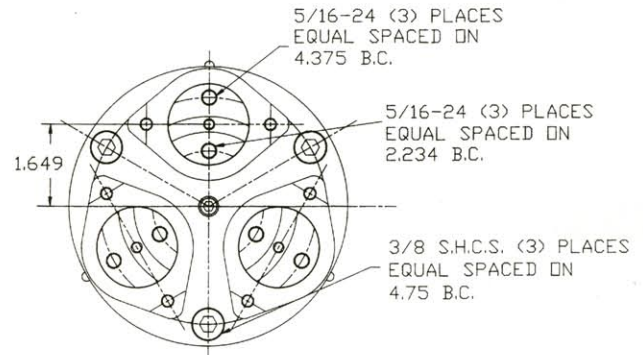
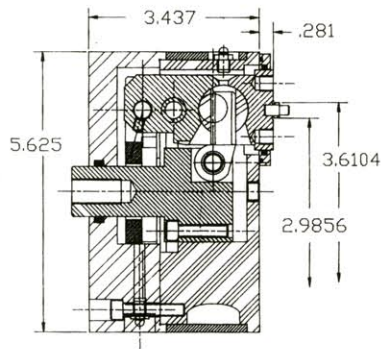
Model R2202

3-Jaw Compensating
External

Weight:
22 lbs.

Jaw Travel per Jaw:
.140 min.
(depends on jaw length)

Maximum Draw Bar Force:
5000 lbs.



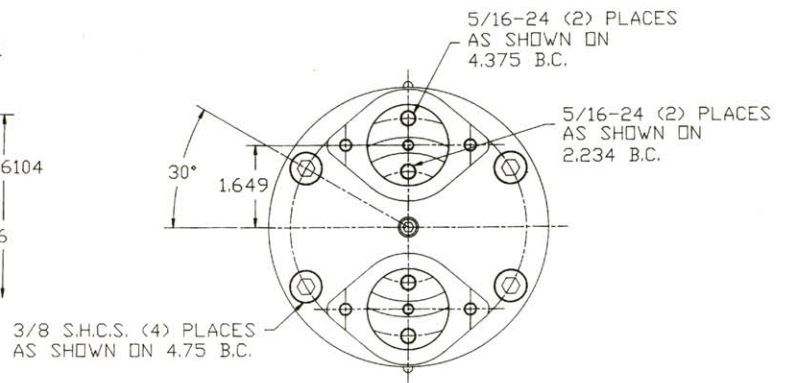
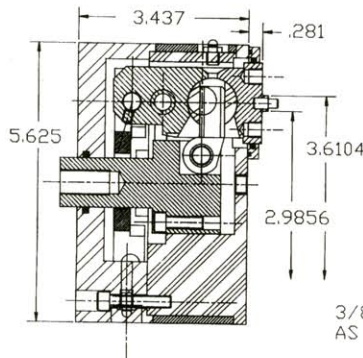
Model R2300

2-Jaw Compensating
External

Weight:
22 lbs.

Jaw Travel per Jaw:
.140 min.
(depends on jaw length)

Maximum Draw Bar Force:
3000 lbs.



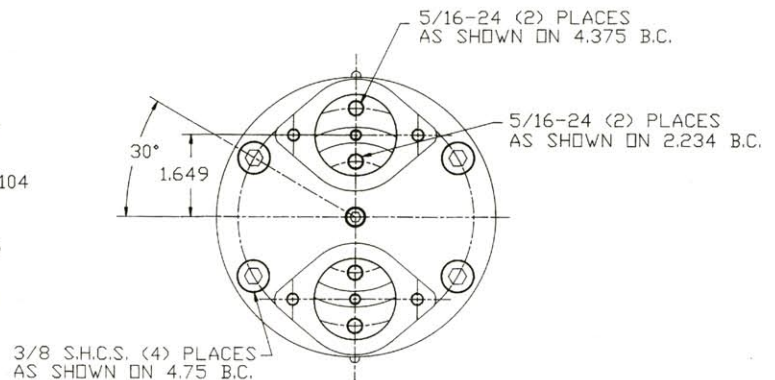
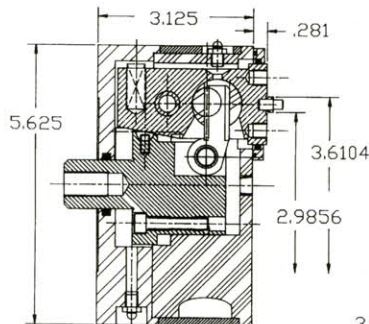
Model R2400

2-Jaw
External

Weight:
22 lbs.

Jaw Travel per Jaw:
.110

Maximum Draw Bar Force:
3000 lbs.



Larger Diameters Available with Hole Through

For Firm Proposal, Submit Part Prints, Tool Layout and Machine Mounting Information

*Let Us Solve
Your Chucking
Problems*

STACE-ALLEN CHUCKS, INC.

2246-50 West Minnesota Street

Indianapolis, Indiana 46221

(317) 632-2401

Fax: (317) 637-7563